

Cleanable rotary pocket feeder

For enhanced productivity of granular material

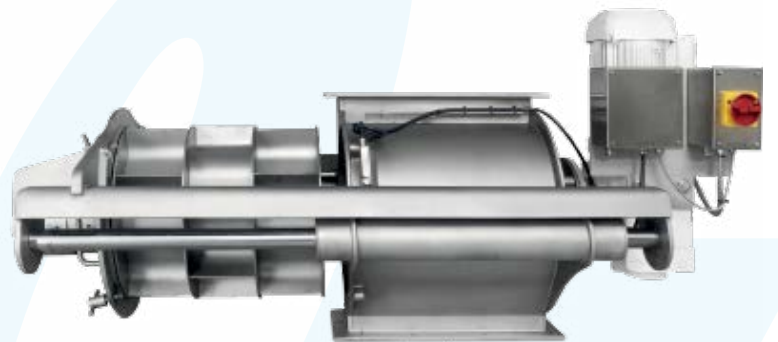
- » **Food-grade stainless steel surfaces for optimal hygiene**
- » **Easy cleaning and inspection**
- » **Radiused pocket design to promote product release**
- » **Staggered pockets for uniform product discharge**
- » **Gravity transition for gentle product handling**
- » **Offset inlet to prevent excessive product breakage**



Ensure optimal performance and reliability of your manufacturing operations with Coperion's **cleanable rotary pocket feeder**.

With its radiused pocket design, this feeder is engineered to deliver a steady, consistent and uniform product flow, helping you to achieve optimal blending efficiency and prevent excessive breakage of your final products.

Thanks to its smooth discharge and reliable performance, the **cleanable rotary pocket feeder** is the ultimate solution to boost the productivity and profitability of your factory.



Cleanable rotary pocket feeder

Applications

Coperion's **cleanable rotary pocket feeder** is a top-of-the-line solution for the smooth handling and discharge of granular materials from hoppers, bins, silos, or cyclones.

Using these feeders as part of a blending process instead of mechanical mixers, excessive product breakage can be prevented. The radiused and staggered pocket design promotes uniform product release, minimizes breakage and boosts profitability. The **cleanable rotary pocket feeder** is suited for granular materials, in applications such as:

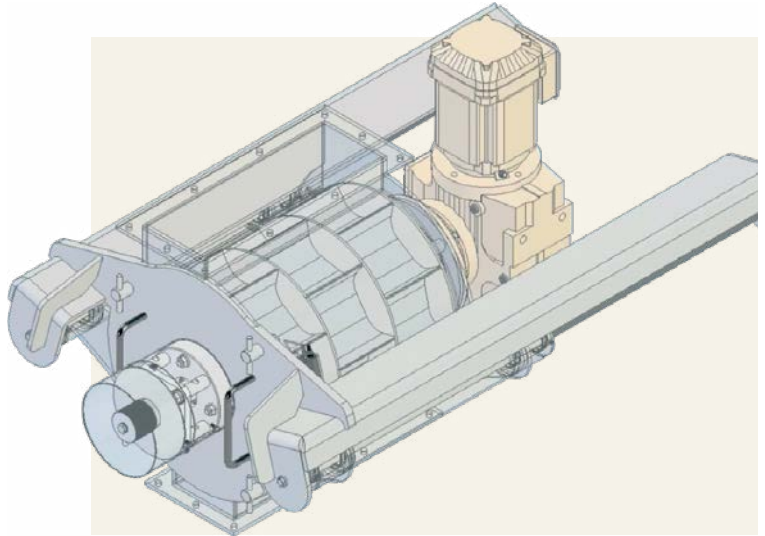
- » Dry pet food
- » Cereals
- » Grains
- » Nuts and seeds
- » Inorganic pellets / granules

Crafted with ease of use in mind, the feeder facilitates quick and hygienic clean down and inspection to minimize downtime. Its compact design concept also provides a space-efficient solution to your production line.

Equipment

The **cleanable rotary pocket feeder** features the following elements:

- » 304 grade stainless steel construction
- » Feeder body with linear slide rails
- » Rotating multi-pocket rotor, featuring radiused pockets
- » Front cover with handles and interlocks
- » Safety switch interlock to stop rotation if opened during operation
- » Inverter rated gearmotor
- » Offset rectangular inlet/outlet flanges



Coperion (Thailand) Ltd. (Food, Health & Nutrition Division)

595/35-36 Unit No. C8 Project TIP 9 Moo 4, Sukhumvit Road, Bang Pu Mai, Muang Samutprakarn 10280, Thailand
T: +66 2 382 5100 E: sales-th@coperion.com W: coperion.com/fhn



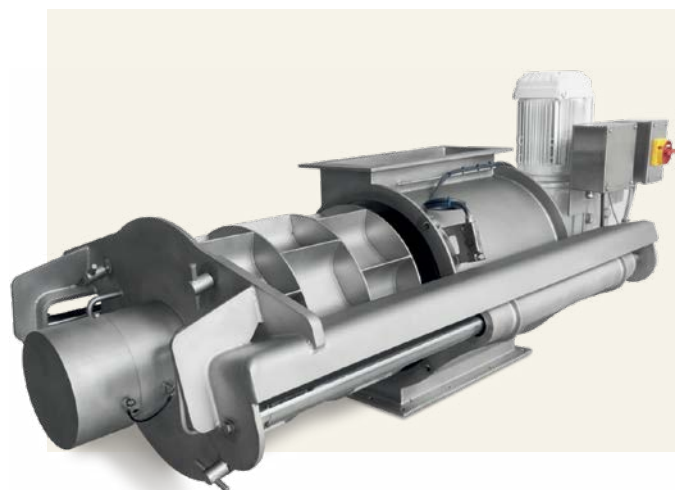
Features & benefits

- » Corrosion-resistant 304 grade stainless steel construction
- » Low shear inlet promotes gentle product input
- » Offset radiused pockets promote uniform product release and reduce product breakage, making it ideal for granular and pellet materials handling
- » Easy rotor access with safety interlocks at the front of the feeder
- » Tool-less rotor removal from front access with linear slide rails, allowing quick and hygienic clean down to minimize downtime
- » Pre-wired lockout/tagout provides compliance to safety procedures



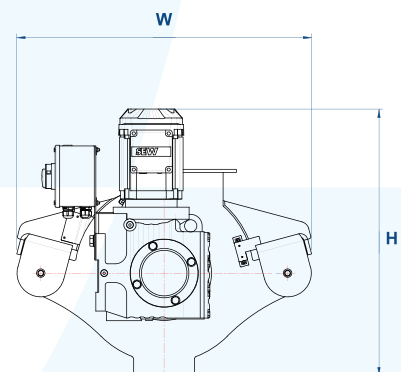
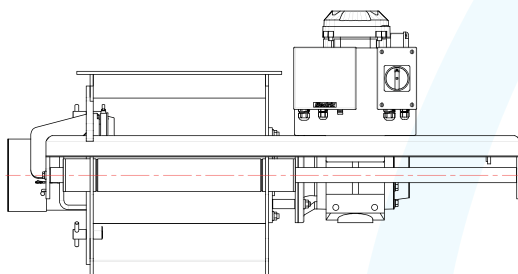
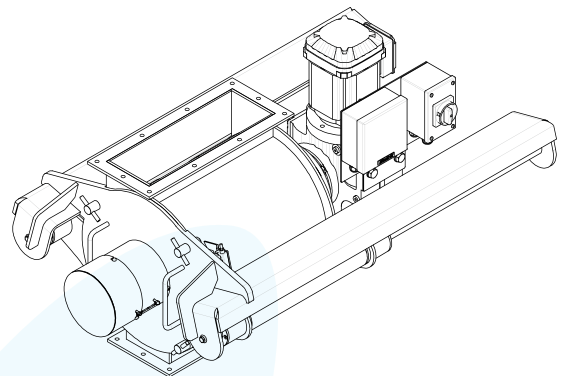
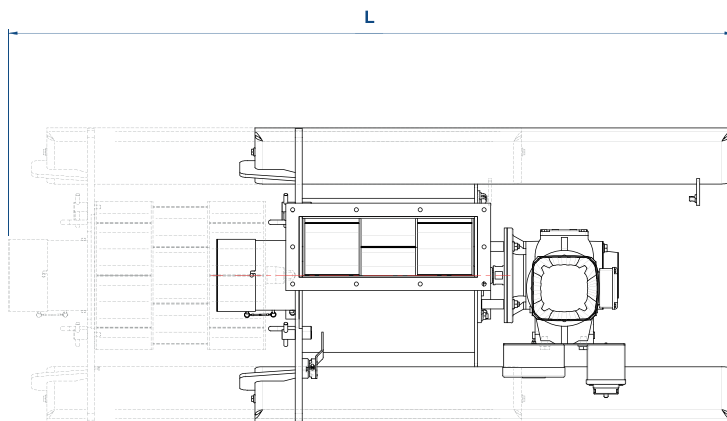
Sanitizing & inspection

To clean or inspect the **cleanable rotary pocket feeder**, the operator should first isolate / turn off the feeder. Then, loosening and extracting the 4 front captured T handle bolts allows the rotor to be slid away from the feeder body for cleaning and/or inspection.



Cleanable rotary pocket feeder

Model	Throughput rate	Estimated weight	Motors	Overall dimensions (L x W x H)	Electrical specifications	Materials of construction
CRPF-300	17 Liters/Rev. 0.6 ft ³ /Rev.	274 kg 604 lbs	Gearmotor: 2.2 kW IP65 / NEMA 4X	1,463mm x 777mm x 702mm 57.7" x 30.6" x 27.6"	Control voltage: 110 VAC / 24 VDC	All construction in 304 grade stainless steel
CRPF-450	26 Liters/Rev. 0.9 ft ³ /Rev.	315 kg 695 lbs		1,899mm x 777mm x 702mm 74.8" x 30.6" x 27.6"		
CRPF-600	35 Liters/Rev. 1.2 ft ³ /Rev.	345 kg 761 lbs		2,353mm x 777mm x 702mm 92.6" x 30.6" x 27.6"		



Spare parts and servicing available. To talk to one of our experts please call: + 66 2 382 5100

Coperion (Thailand) Ltd. (Food, Health & Nutrition Division)

595/35-36 Unit No. C8 Project TIP 9 Moo 4, Sukhumvit Road, Bang Pu Mai, Muang Samutprakarn 10280, Thailand
 T: +66 2 382 5100 E: sales-th@coperion.com W: coperion.com/fhn